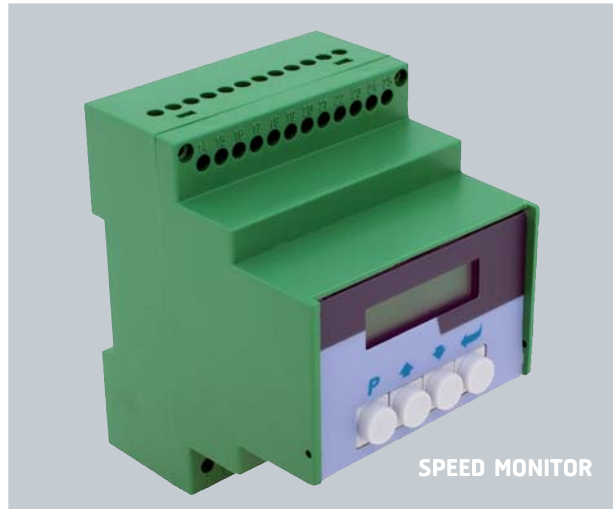


Speed monitor



Speed monitor for control of overspeed, underspeed, standstill and direction of rotation

- ▶ **3 relays (dry changeover) and an analogue output**
- ▶ **Input frequency range 0.1 Hz - 1 MHz**
- ▶ **Compact housing for DIN rail mounting**
- ▶ **For incremental encoders with TTL, HTL or RS422 interface**
- ▶ **Four keys and a LCD display for facilitate commissioning and operation**



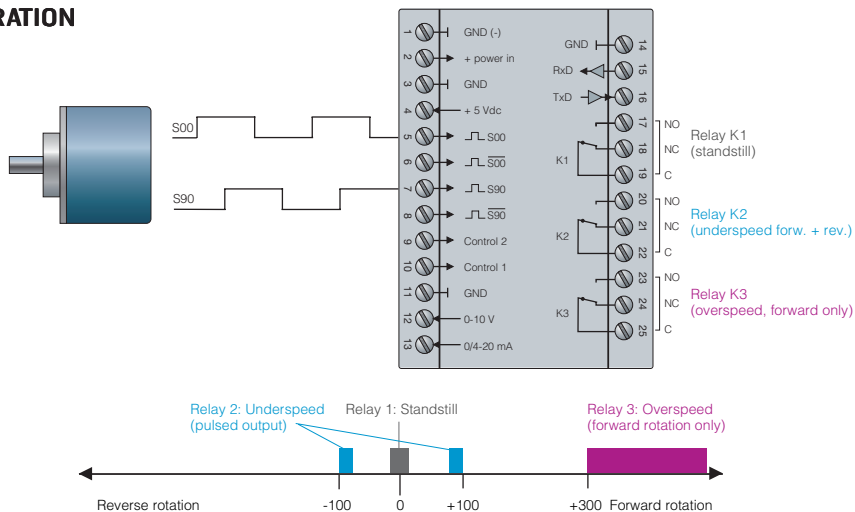
ELECTRICAL SPECIFICATION

Power supply	17-30Vdc	
Current consumption	70mA @ 24Vdc	
Input signal type	Incremental encoder signals	
Electrical interfaces	HTL, TTL and RS422	
Frequency range	0.1Hz.....1.0 MHz	
Input levels	TTL	HTL
U _{high}	3...5.5Vdc	10...30Vdc
U _{low}	0...0.5Vdc	0...4Vdc
Encoder power supply (Aux.)	17-30Vdc 5Vdc	
Output signal type		
Electrical interfaces		
Analogue	± 10V (ext. load>5kΩ) 0-20mA (load<270Ω) 4-20mA (load<270Ω)	
Relays	30V / 4A DC 125V / 0.6A AC 230V / 0.3A AC	
Resolution of analogue outputs	14-bit (accuracy 0.1%)	

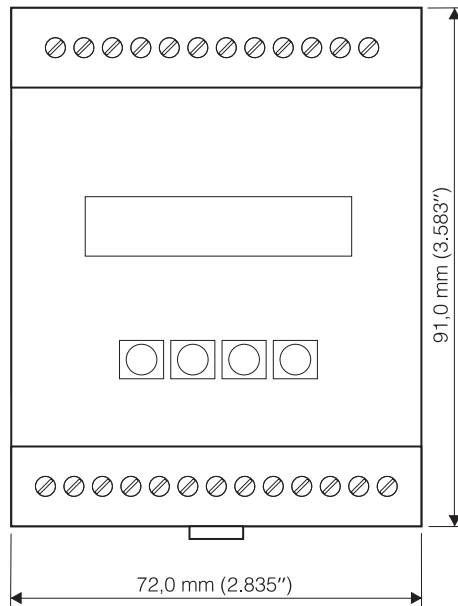
ENCODER SPECIFICATION

Encoder Type	Incremental
Electrical interface	HTL, TTL or RS422
Number of channels	2, 90°el phase shifted

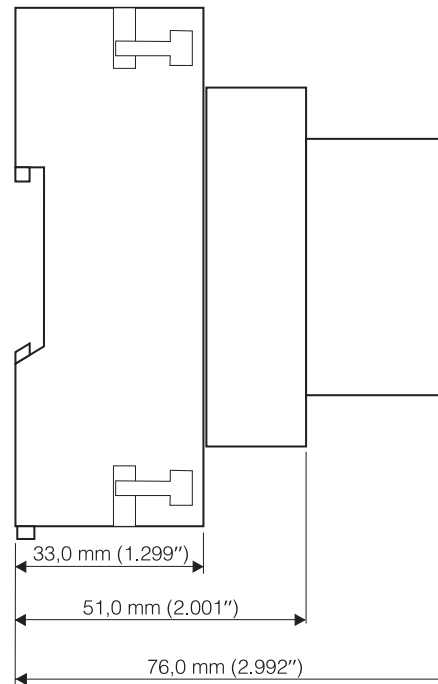
PRINCIPAL OPERATION



Speed monitor



Front view



Side view

ORDERING INFORMATION

Available models

00208070
Incremental Speed Monitor DZ260

LEINE LINDE ISO 9001 / ISO 14001 certified

Olivehällsvägen 8, SE-64542 Strängnäs, Sweden.
Phone: +46 (0)152 26500. Fax: +46 (0)152 26505. E-mail: info@leinelinde.se

08-01-29 PS. Specifications can be changed without prior notice.

www.leinelinde.com